

NETZSCH

Proven Excellence.



NOTOS® Hygienic Twin Screw Pump

NOTOS® 2NSH – High Efficiency and Maximum Performance
for Hygienic Applications

Pumps & Systems

NOTOS® 2NSH

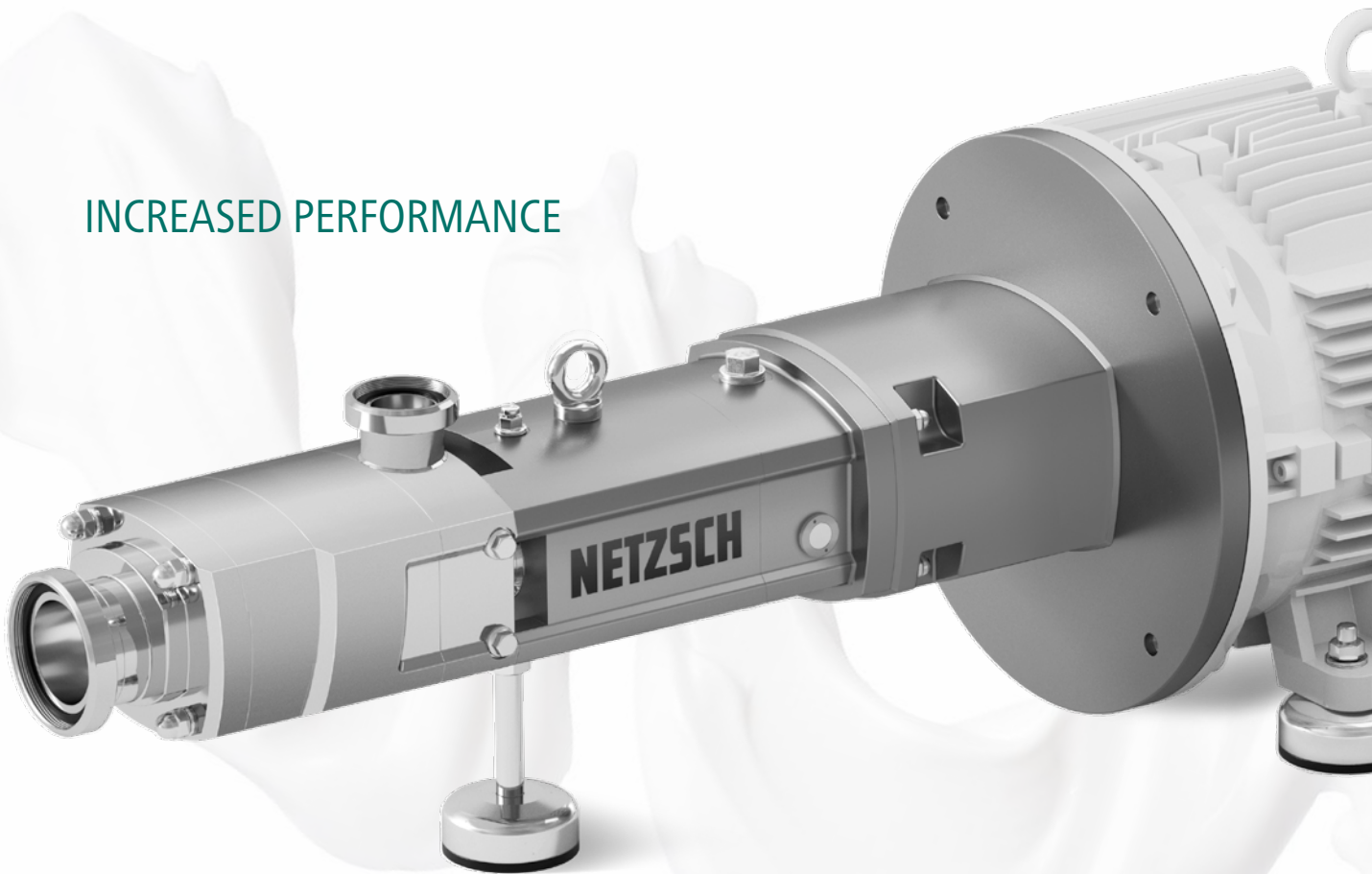
HYGIENIC TWIN SCREW PUMP

The benefit to the customer

Keeping its commitment to developing innovative and efficient solutions for the most demanding industries, NETZSCH presents to the market the NOTOS® Hygienic 2NSH Twin Screw Pump. Designed to optimize the transfer at high working pressures (up to 16 bar or 230 psi) of media with higher viscosity, such as chocolate, fruit yogurt, juices, and pumping them while keeping the integrity and natural properties, without any quality loss. This pump is a practical solution that adds more efficiency and technology to the process.

The pump is made of AISI 316L stainless steel and polished according to international standards, making it easy to clean (CIP) and can even be sterilized (SIP). As there is no contact between the rotating parts, the pump speed can be increased. Therefore cleaning can be carried out without the need for an auxiliary system.

INCREASED PERFORMANCE



MAXIMUM PRODUCTIVITY

INNOVATIVE CONCEPT

General characteristics

NOTOS® 2NSH meets the high requirements of food, beverage, chemical, pharmaceutical and cosmetic industries:

- Metal parts made of stainless steel
- High suction capability (low NPSHr)
- No contact between the rotating parts
- Reversible flow
- Low pulsation
- No dead spaces
- Smooth feeding of the pumped media

Large capacity and pressure range

The pump covers a wide capacity range and is therefore highly flexible in use.

- Flow rate up to 200 m³/h (880 gpm)
- Pressure up to 16 bar (230 psi)

Compact design

Small space requirements due to their compact design, having two options for mounting: with foot or flange.

Broad range of applications

- Food industry: dairy products, delicacies, ketchup, sauces, confectionery and baby food
- Beverage industry: fruit juices, syrups, concentrates, breweries
- Cosmetic and pharmaceutical industry: creams, active substances, ingredients
- Chemical industry: adhesives, solvents, paints, varnishes and plastics

Your benefits

- Versatile use eliminating the need for a CIP pump
- Easy maintenance: simple assembly/disassembly
- Flexibility: the same equipment can be used for pumping fluids with low or high temperature/viscosity
- Seals with food-grade certification

Wide range of media

Due to the operation principle and the design of this positive displacement pump, media with the following properties can be conveyed:

- Low to high viscosity
- With/without solids
- Shear sensitive and shear stable



NOTOS® 2NSH

Several applications with many advantages

With a robust, compact body and efficient design, the NOTOS® 2NSH Hygienic Twin Screw Pump is ideal for industries that prioritize high quality, maximum productivity, and excellence in the process: a reliable, customized solution for each customer.

NOTOS® 2NSH Hygienic Twin Screw Pump – Operating Parameters

Parameters	Unit	Models		
		2NSH-/16L1E	2NSH-/16L2E	2NSH-/16L3E
Operating rotational speed	RPM	up to 1.800	up to 1.800	up to 1.800
Cleaning rotational speed	RPM	up to 3.600	up to 3.600	up to 3.600
Standard flow differential pressure	Bar	maximum 16 bar ¹	maximum 16 bar ¹	maximum 16 bar ¹
Reverse flow differential pressure	Bar	maximum 12 bar ¹	maximum 12 bar ¹	maximum 12 bar ¹
Viscosity	cP	from 1 to 1,000,000 ²	from 1 to 1,000,000 ²	from 1 to 1,000,000 ²
Temperature of the pumped fluid	°C	from -20 to 130 ³	from -20 to 130 ³	from -20 to 130 ³
Size of the discharge nozzle	In.	1,5" up to 2,0"	1,5" up to 2,0"	1,5" up to 2,0"
Size of the suction nozzle	In.	1,5" up to 2,5"	1,5" up to 2,5"	1,5" up to 2,5"
Installation position	---	Horizontal	Horizontal	Horizontal
Maximum flow rate	m ³ /h	up to 11 m ³ /h	up to 25 m ³ /h	up to 65 m ³ /h
Material of wet parts	---	AISI 316L (standard)	AISI 316L (standard)	AISI 316L (standard)

¹ Dependent on the screw pitch

² Dependent on the pump speed and size

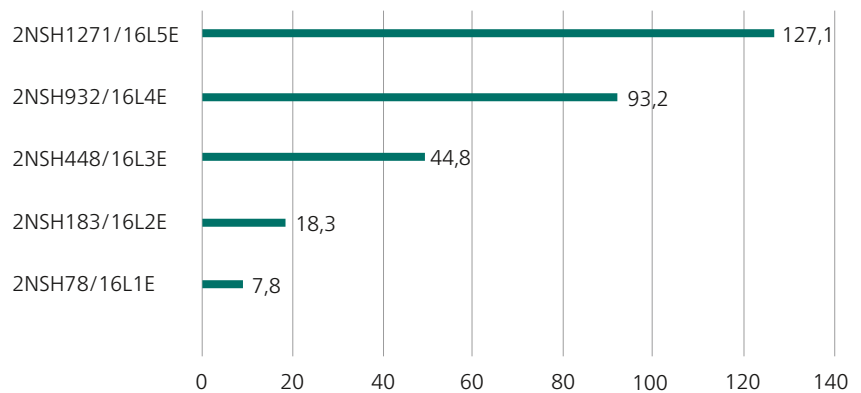
³ Dependent on differential pressure and pump rotational speed



2NSH-/16L4E	2NSH-/16L5E
up to 1.800	up to 1.800
up to 3.600	up to 3.600
maximum 16 bar ¹	maximum 16 bar ¹
maximum 12 bar ¹	maximum 12 bar ¹
from 1 to 1,000,000 ²	from 1 to 1,000,000 ²
from -20 to 130 ³	from -20 to 130 ³
3" up to 4"	3" up to 4"
3" up to 4"	3" up to 4"
Horizontal	Horizontal
up to 129 m ³ /h	up to 200 m ³ /h
AISI 316L (standard)	AISI 316L (standard)

The NOTOS® 2NSH is a hygienic pump family composed of five series with four different models in pressure and bearing sizes. In all, they are 20 different sizes. They cover a wide range of flowrates and they will meet the needs of nearly all segments of many industries.

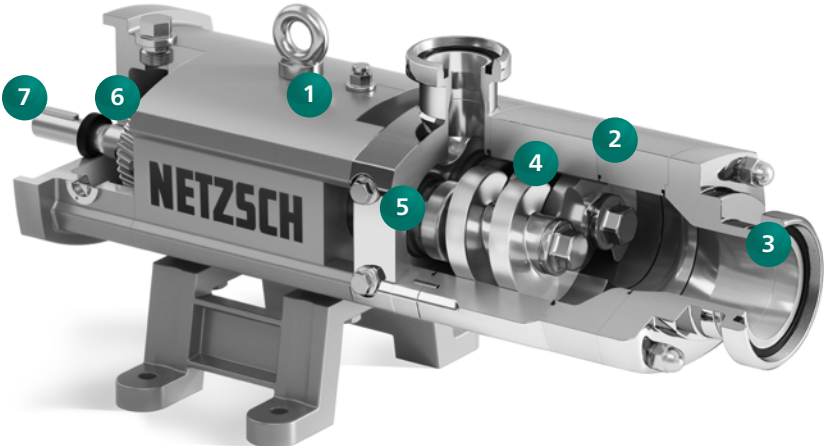
Maximum flowrate of each pump series [m³/h]



Perfection down to the last detail

for outstanding results in your production

The pump shows superior performance and excellent results in day-to-day production because every feature of the pump is perfectly finished. The NOTOS® 2NSH Hygienic Twin Screw Pump in an efficient combination of excellence and quality that results in a unique solution to the market with a significantly compact design. Smooth pumping, low pulsation, easy maintenance, and ease of use in the process are advantages that support you in your daily operations.



1 Bearings housing

Bearings designed for high load capacity with housing in stainless steel allowing external cleaning of the pump.

complete pump cleaning [Ra < 0.8 µm]. Various sanitary connection options available such as DIN, TC, SMS, RJT, and others.

5 Shaft sealing

Available with single or double seals, both with modular cartridge design and interchangeable from one to another. Connections for flushing or quench are optional.

2 Pump housing

Pump housing with a unique design for FSIP® – Full Service in Place, allowing the easy and quick pump disassembly, without having to disconnect it from the piping. Available in foot or self-aligned flange design. FDA-approved sealing, without dead spaces.

4 Screws

Stainless steel screws with high efficiency profile, allowing higher flow rates with low fluid shear. Multiple pitch options available, all balanced and with high suction capability. Easy replacement of the screws without disassembly of the bearings. Screws with the same diameter are changeable just by changing the pitch.

6 Synchronization gears

Helical gears provide smooth torque transmission between the screws and ensure the contactless operation of the pumping elements.

3 Flanges

Internally polished flanges as per hygienic standards to ensure

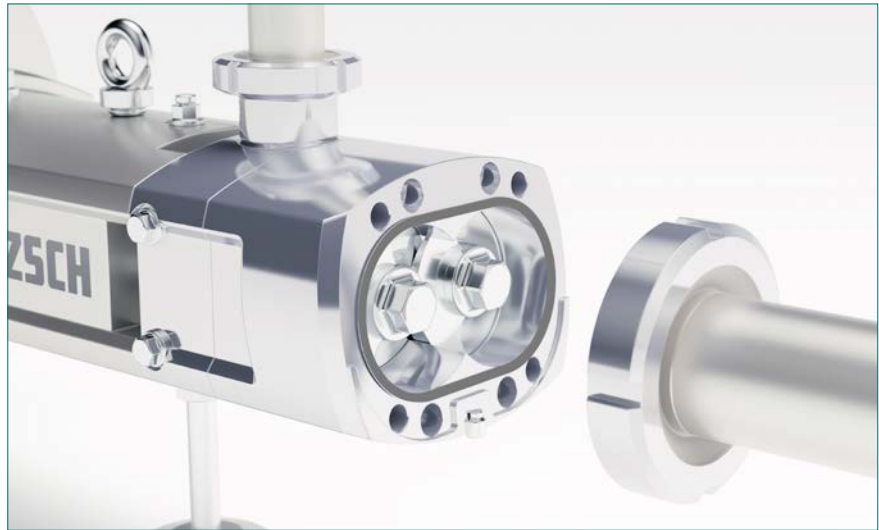
7 Shafts

Stainless steel shafts designed for high torque, with the option to rotate in both directions.



FSIP® concept for simplified maintenance

The NETZSCH Research & Development Department implemented FSIP® as a design concept in many products. It simplifies maintenance and the life of service staff. Thus it is possible to fully disassemble and assemble the screws and the mechanical seal without removing the pump from the processing line. As a result of this, the servicing downtimes are significantly reduced. FSIP® is an intelligent technological solution that brings even more comfort and reliability to your processes.



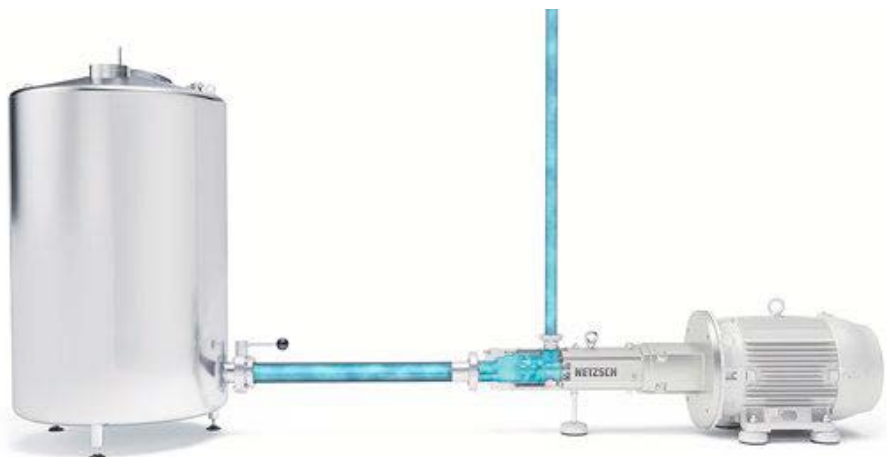
Simplify your CIP cleaning process with NOTOS® 2NSH

Reduce your costs with NOTOS®

In a conventional CIP cleaning-process usually an additional CIP pump is necessary to ensure the cleanliness of the system. With the 2NSH, there is no need for an extra pump because it also operates as a CIP pump during the cleaning process. By-pass valves and additional pipework are not necessary anymore.

How is it possible?

Its constructive form allows to reach the speed necessary for CIP cleaning. With a flow velocity of at least 1,5 m/s, it is possible for the cleaning liquid to ensure efficient cleaning of the pump, pipes, connections and accessories.



CIP/SIP temperature
Up to 140 °C

Conventional Design with unique advantages

The NOTOS® 2NSH Hygienic Twin Screw Pumps are also available with a conventional, round pump housing. This compact design offers different options and advantages.

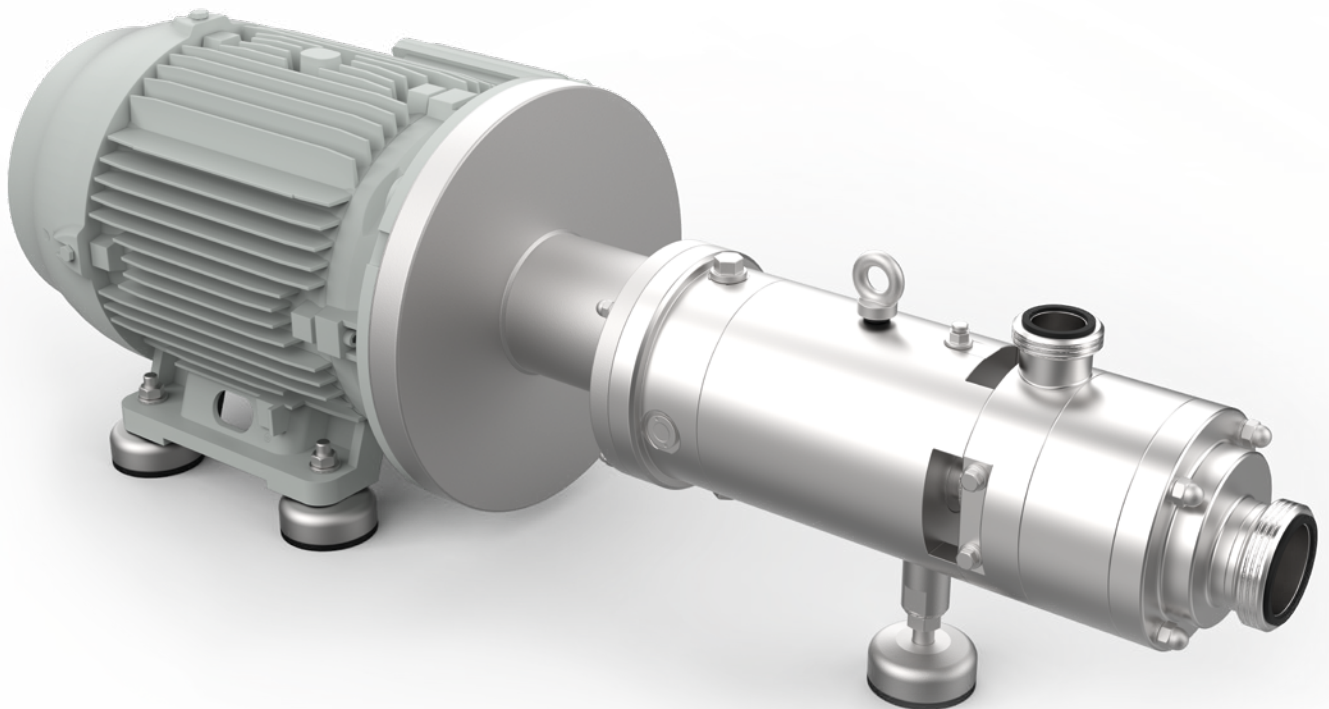
The NOTOS® 2NSH conventional pump housing is more compact than the FSIP® model. It is shorter, which facilitates the installation in places with less space. Its surface is polished according to international standards, avoiding the accumulation of residues and simplify the cleaning.

General characteristics

- Compact design
- Reduced length
- Robust construction
- Heating or cooling jacket (optional)

Different pump models

- With foot and self-aligned flange
- With funnel for highly viscous fluids



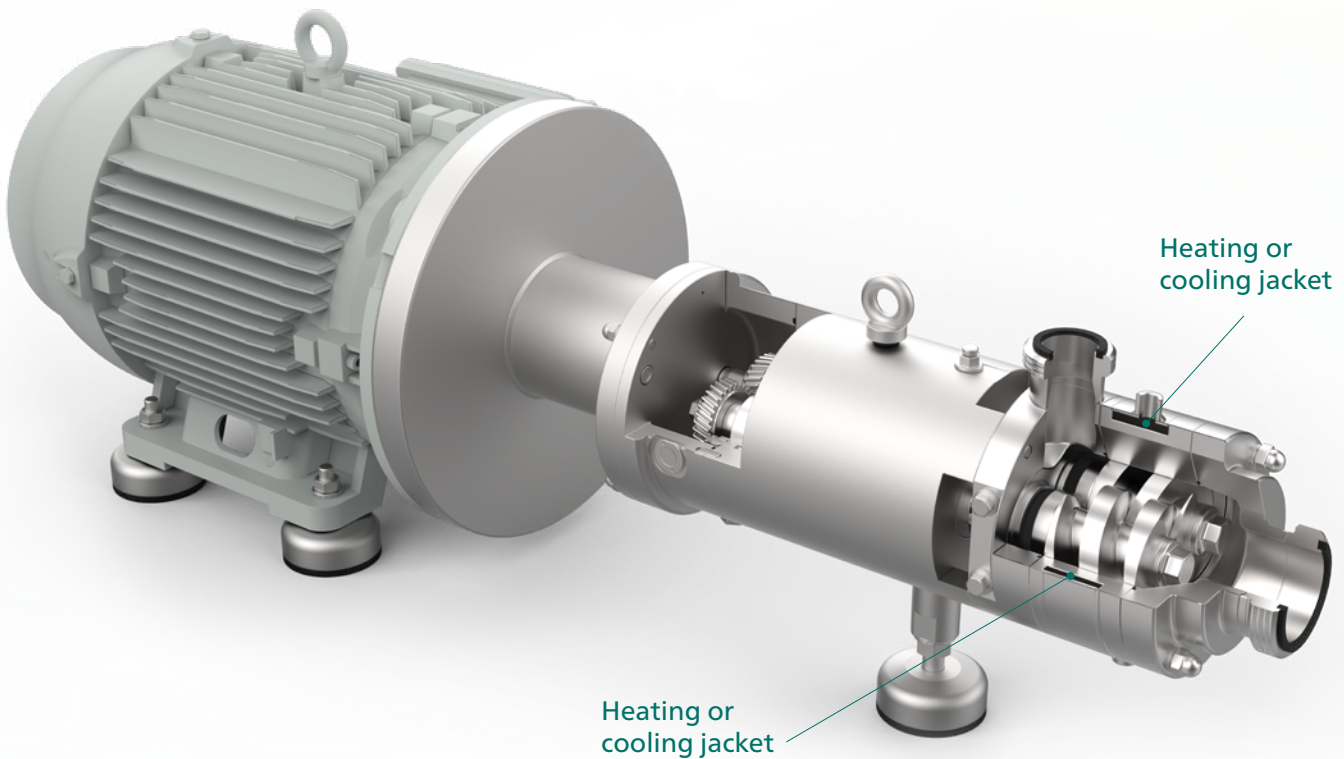


Adding a jacket for heating or cooling allows temperature control of the fluid

The conventional version of the NOTOS® 2NSH Hygienic Twin Screw Pump can be equipped with a heating or cooling jacket. The jacket is installed around the entire housing in which the screws are located. An external, independent circuit heats or cools the jacket. This pump is perfect for applications where the pumped fluid tends to harden or requires temperature control to guarantee its quality.

General characteristics

- Heating or cooling jacket
- Jacket maximum fluid temperature 130 °C
- 3 bar pressure (45 psi)



BARREL EMPTYING SYSTEM

With NOTOS® 2NSH pump

NETZSCH Barrel Emptying Units pump their way through your products, reaching the bottom of the barrel or container in the food, chemical, and pharmaceutical industry with the absolute minimum waste of product – resulting in less than 1 % residual product in the barrel. The heart of the barrel emptying unit is a NOTOS® 2NSH pump. With positive displacement it creates a low pulsation flow to convey the product without damage. The products are only exposed to friction loss through the discharge piping. The NETZSCH single slide rail system raises and lowers the follower plate safely while providing a simple and easy structure to clean.

Construction features

Barrel emptying NBE 200 + NOTOS® 2 NSH pump. Hygienic connections available, such as DIN, TC, SMS, RJT, and others.

Your benefits

- Smooth and steady pumping
- Low pulsation
- Low shear rate
- Products that contain solids in suspension
- Flow independent of temperature or viscosity
- Almost complete emptying, residual product less than 1 %

NBE characteristics

- Continuous or intermittent emptying
- No pressure or flow interruption
- Low-pressure conditions in the entire system
- Suitable for conical barrels
- Adjustable discharge capacity
- Possible to dose directly from the barrel
- Flow in direct proportion to pump speed
- Equipped with VSD for easy adjustment
- Simple, single-rail design

Applications

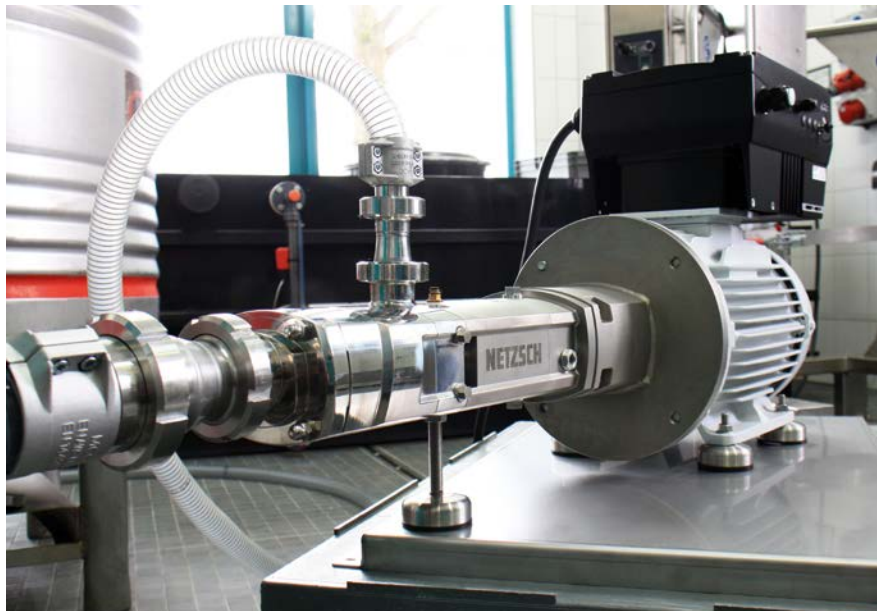
- Low to high viscosity
- Non-Newtonian and pastes
- Shear sensitive media
- Highly abrasive media
- Pump can handle media up to 500 thousand cP



APPLICATION EXAMPLES

Juice and beverage industry


- Pump: NOTOS® 2NSH340/16L3E
- Media: Orange juice concentrate
- Flow rate: 25 m³/h
- Pressure: 8 bar
- Temperature: 5 °C
- Viscosity: 900 cP



Chemical and pharmaceutical industry

- Pump: NOTOS® 2NSH55/16L1E
- Media: Shampoo
- Flow rate: 5 m³/h
- Pressure: 6 bar
- Temperature: 25 °C
- Viscosity: 9000 cP





The NETZSCH Group is an owner-managed, international technology company with headquarters in Germany. The Business Units Analyzing & Testing, Grinding & Dispersing and Pumps & Systems represent customized solutions at the highest level. More than 3,800 employees in 36 countries and a worldwide sales and service network ensure customer proximity and competent service.

Our performance standards are high. We promise our customers Proven Excellence – exceptional performance in everything we do, proven time and again since 1873.

The NETZSCH Business Unit Pumps & Systems offers with NEMO® progressing cavity pumps, TORNADO® rotary lobe pumps, NOTOS® multi screw pumps, macerators/grinders, dosing technology and equipment custom built and challenging solutions for different applications on a global basis.

Proven Excellence.■

NETZSCH Pumpen & Systeme GmbH
Geretsrieder Straße 1
84478 Waldkraiburg
Germany
Tel.: +49 8638 63-0
info.nps@netsch.com

NETZSCH®

www.netsch.com