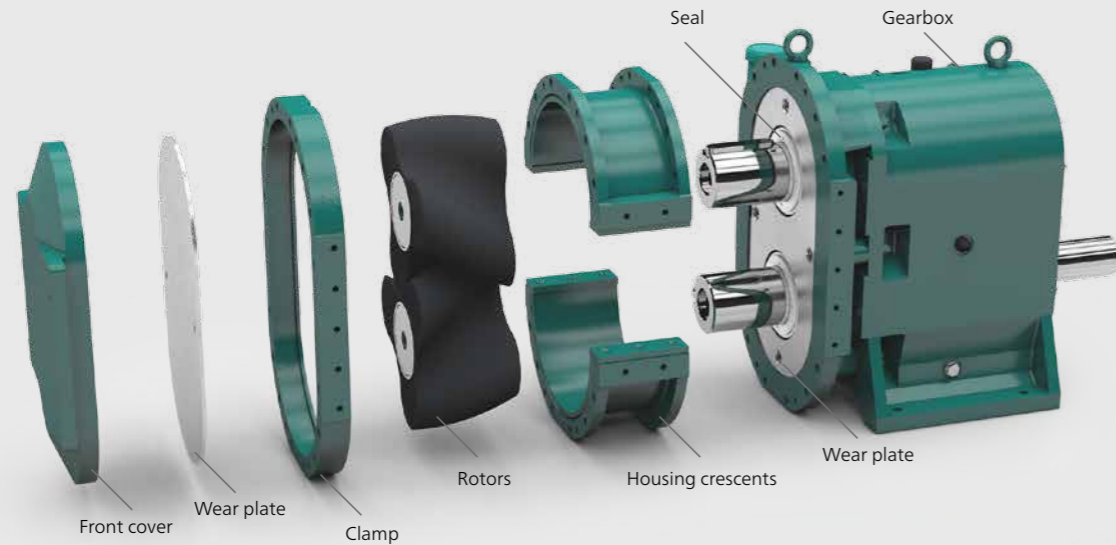


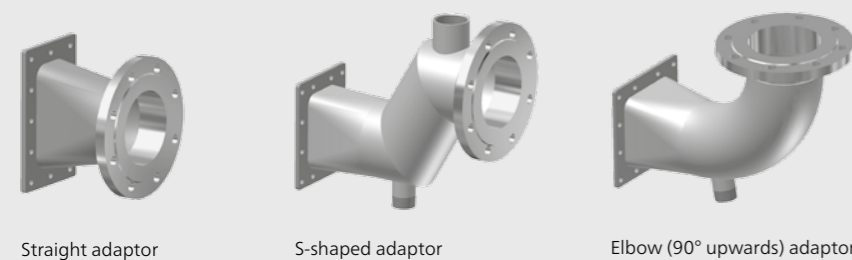
## The design of the classic TORNADO® T1



**Front Cover**  
Rotors, cover seal and product seals can be accessed for inspection, service or replacement by simply removing the front cover. Disassembly of the inlet and outlet pipework and pump housing is not necessary.

**Wear Plates**  
Abrasion and chemically resistant, replaceable wear plates are fitted both sides of the rotors.

Pump inlet and outlet adaptors for connection to installation pipework are available in various designs



Straight adaptor      S-shaped adaptor      Elbow (90° upwards) adaptor

**Rotors**  
Straight sided or helical rotors are selected to suit individual application requirements. Rotors are available as bi-lobe, tri-lobe or four-lobe and a wide range of materials is available.

**Housing Crescents**  
Modular construction allows for the crescents to be simply replaced should wear occur. Pump life time can be further extended with the option of replaceable crescent liners.

**Seals**  
Wide range of product seals and materials are available, which are selected to suit individual application requirements. Seal arrangements include easy access connections for seal quench or flush.

**Gearbox**  
The patented gearbox design includes NETZSCH GSS-Technology separating the pump head from the gear box which eliminates cross contamination between the pump media and gear box lubricant.

### Connection options

Adaptors designed to suit specific installations available on request

## The rotors – low-pulsation, smooth pumping of all media

### Rotors in different geometries and materials

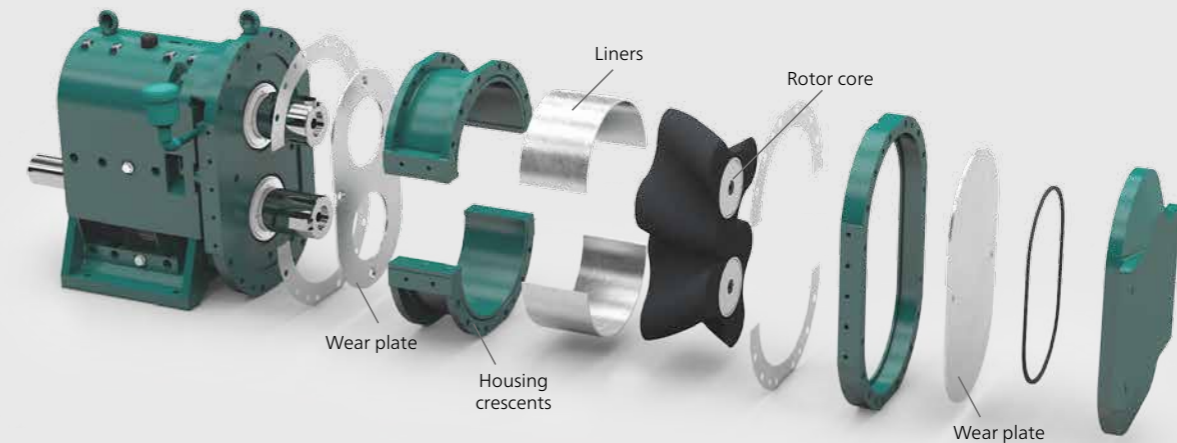


2 lobe straight      3 lobe helical      4 lobe helical

The rotor geometry and material are selected for the characteristics of the pumped media. Geometries are available for products which are viscous, abrasive or contain solids. Materials tailored to the media characteristics increase the durability of the rotors and extend service life.

## Range of pump head wetted materials broadens application coverage

For handling chemically corrosive or otherwise aggressive media the TORNADO® T1 pump housing, wear plates, liners and rotor cores are available in suitably resistant materials.



Liners      Rotor core      Wear plate      Housing crescents