

TORNADO® Rotary Lobe Pumps

Mobile Pumps – Safe and Flexible at Any Location



TORNADO® Rotary Lobe Pumps – High Performance, Reliability and Maintenance in Place

TORNADO® Mobile – Nothing moves more

The TORNADO® Mobile combines the flexibility and independence of a mobile unit with the proven technology of a rotary lobe pump from NETZSCH. The TORNADO® Mobile is based on NETZSCH's many years of experience in developing universally usable mobile rotary lobe pumps.

The self-priming, valveless NETZSCH TORNADO® positive displacement pumps are very powerful and are optimised to your individual requirements. They are used for continuous and gentle delivery as well as speed proportional dosing of almost all media.

Broad application spectrum

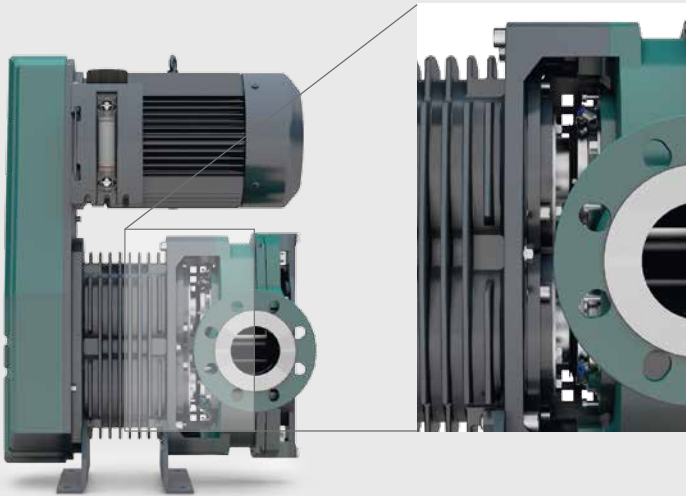
The pumps are primarily used with media that have the following features:

- Containing solids (max. particle size up to 70mm) and free of solids
- Low to high viscosity (1 mPas up to 1 million mPas)
- Thixotropic and dilatant
- Shear sensitive
- Abrasive
- Non-lubricating and lubricating
- Pressures up to 6 bar, higher pressures on request



TORNADO® rotary lobe pump T1 und T2

TORNADO® Rotary Lobe Pumps are outstanding



Long-term reliability

The NETZSCH typical physical separation between pump chamber and bearing housing guarantees the highest operational safety.

- Eliminates product ingress into gear box in the unlikely event of product seal failure
- Eliminates the risk of gear oil ingress into the pump media
- Easy access to seal buffer/quench and barrier/flush connections

Ease of service on site

The NETZSCH TORNADO® rotary lobe pump offers considerably longer service intervals because of its modular housing structure, the individually exchangeable housing shells and the mechanically and chemically resistant wear protection plates. If a service is required, all necessary areas are easy to access once the housing cover has been opened.

High Performance

NETZSCH TORNADO® rotary lobe pumps stand out for their high level of efficiency. Pumping capacities of 1 to 1,000 m³/h for countless applications demonstrate their top performance.



Pulsation free
pumping



TORNADO® Mobile – Rotary Lobe Pumps for Flexible Use

Design examples for mobile TORNADO® Rotary Lobe Pumps

TORNADO® XLB-4/2 for pumping waste water with 3% solid content. Pumping capacity 150 to 300 m³/h at 2.8 bar. Set-up on tandem trailers with diesel unit with 60 kW capacity and an integrated 100L tank.



TORNADO® XLB-4 for pumping between 100 and 220m³/h waste water at 2 bar. Set-up on a stable single-axle trailer with diesel unit 90 KW and in-built 90L tank. Integrated control for over and negative pressure, along with a dry running sensor. Complete unit with soundproof enclosure.





TORNADO® XLB-4 for pumping liquid manure. Pumping capacity 300m³/h at 0.5 bar. Version for pump tankers.



TORNADO® XLB-4 for pumping 300 m³/h water, sludge or liquid manure as a mobile pumping station. Driven by tractor power take off. External thread for connecting different coupling parts such as Perrot, Stortz or similar.

TORNADO® Mobile – Rotary Lobe Pumps for Flexible Use

Design examples for mobile TORNADO® Rotary Lobe Pumps

TORNADO® T2 mobile for pumping between 5 and 100 m³/h waste water at 8 bar. Connectors with tanker coupling in ergonomic S shape. Hand wheel for regulating the pumping capacity.



TORNADO® XLB 3 for pumping between 50 and 220 m³/h sludge at 2 bar. A-connection via distributor with two suction and pressure connections each, including a stone catcher box on the suction side. Assembled on a trailer with a tandem axle.

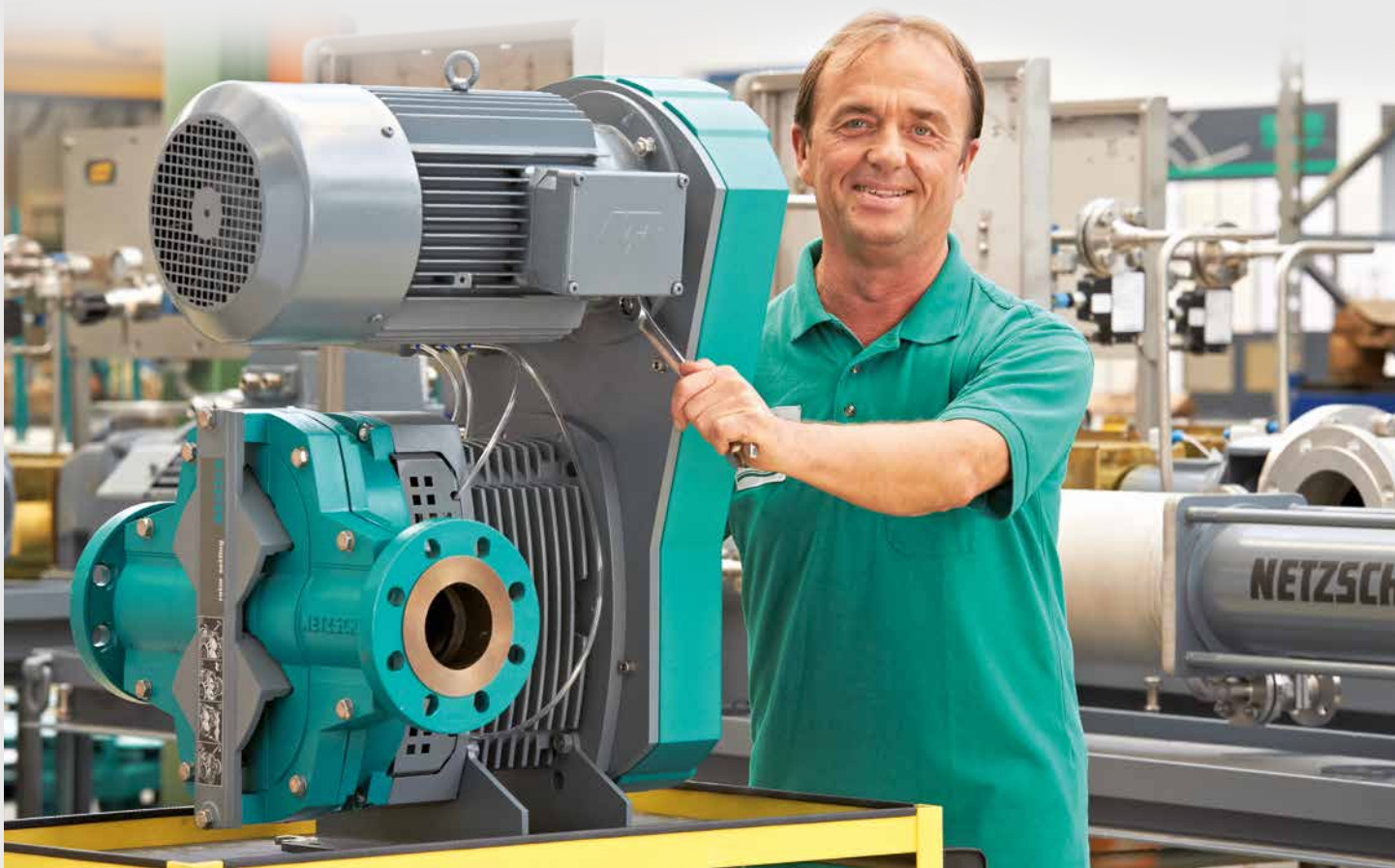


Anything is possible!

We can build your individual TORNADO® Mobile customised for your application and especially for your use. With our many years of experience and with the open-mindedness of a technology leader we are ready for any challenge. The pumping capacity, drive and chassis are designed precisely to the features

of the pumping medium and the purpose. Highly diverse material and shaft seal variants cover virtually all applications in the areas of farming, environmental technology, chemical and paper as well as oil and gas.

We always have the right solution on hand for you.



The NETZSCH Group is a mid-sized, family-owned German company engaging in the manufacture of machinery and instrumentation with worldwide production, sales, and service branches.

The three Business Units – Analyzing & Testing, Grinding & Dispersing and Pumps & Systems – provide tailored solutions for highest-level needs. Over 3,000 employees at 163 sales and production centers in 28 countries across the globe guarantee that expert service is never far from our customers.

The NETZSCH Business Unit Pumps & Systems offers with NEMO® progressing cavity pumps, TORNADO® rotary lobe pumps, screw pumps, macerators/grinders, dosing systems and equipment custom built and challenging solutions for different applications on a global basis.

NETZSCH Rotary Lobe Team

Tel.: + 49 8638 63-2400

Fax: + 49 8638 63-92400

info.tornado@netzsch.com

NETZSCH Pumpen & Systeme GmbH

Geretsrieder Straße 1

84478 Waldkraiburg

Germany